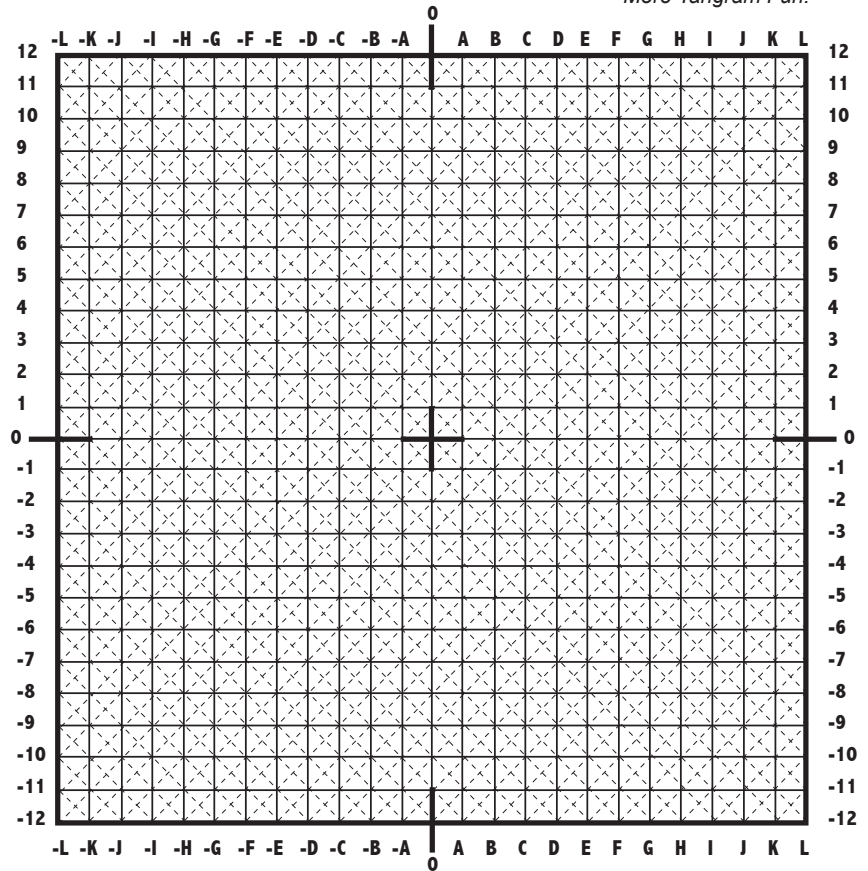
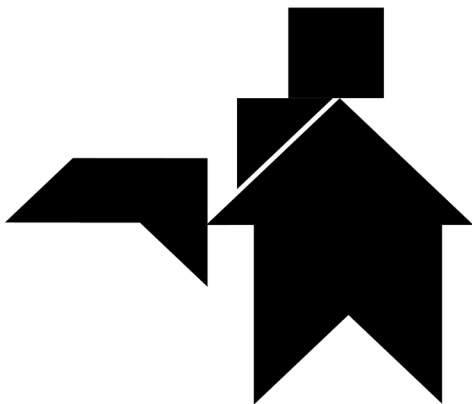


Scan Me for Hints & More Tangram Fun!

Rules:

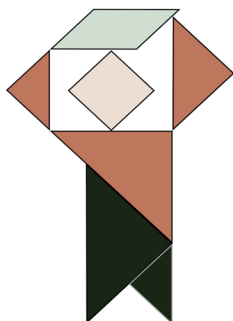
- All 7 tans must be used, without repeating.
- No tans may overlap.
- Tans may be rotated or flipped.

Today's Tangram



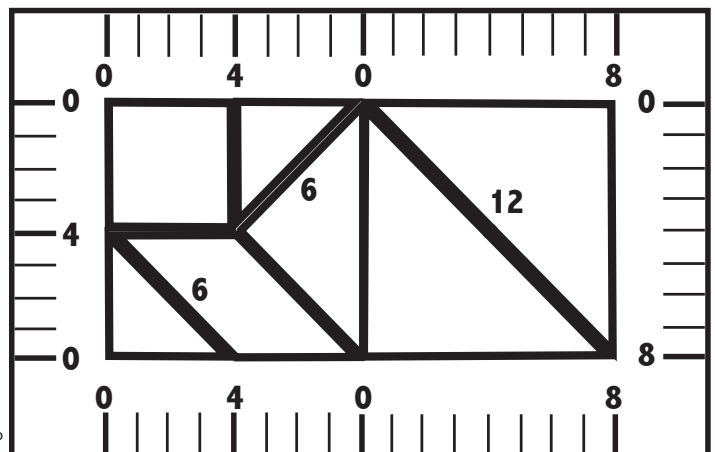
Tasurface (for Chris Sullivan)

Yesterday's Solution



Tans & Sizes

These are the 7 tans to be used and their sizes, based on the Tangram Grid.



These Comic Con-related Daily Tangrams are made in honor of celebrities coming to Salt Lake Comic Con 2017. The collection will be made available in the souvenir book, 'The Tangram Fury Tribute to Comic Con 2017,' available exclusively at SL Comic Con and for a limited time on TangramFury.com.