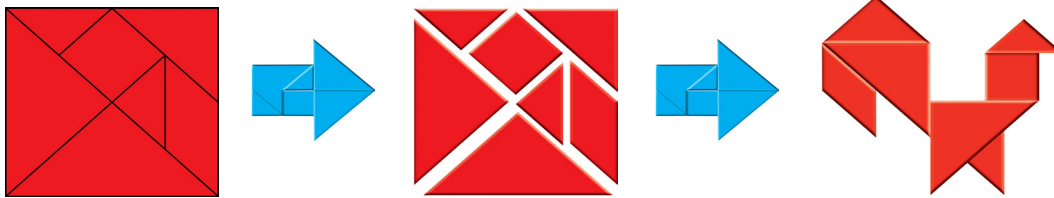




ADDICTIVE JOLLIFICATION

TANGRAM FURY.com

Daily Tangram

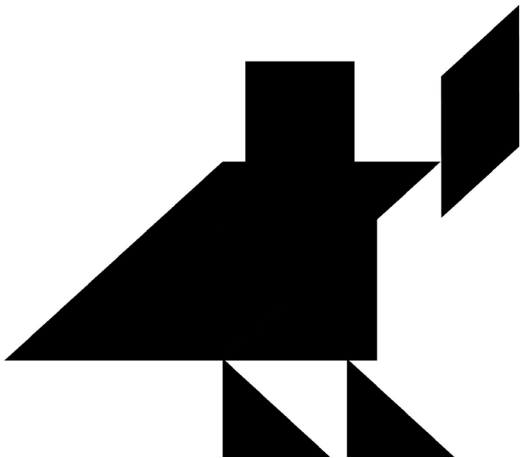


Scan Me for Hints & More Tangram Fun!

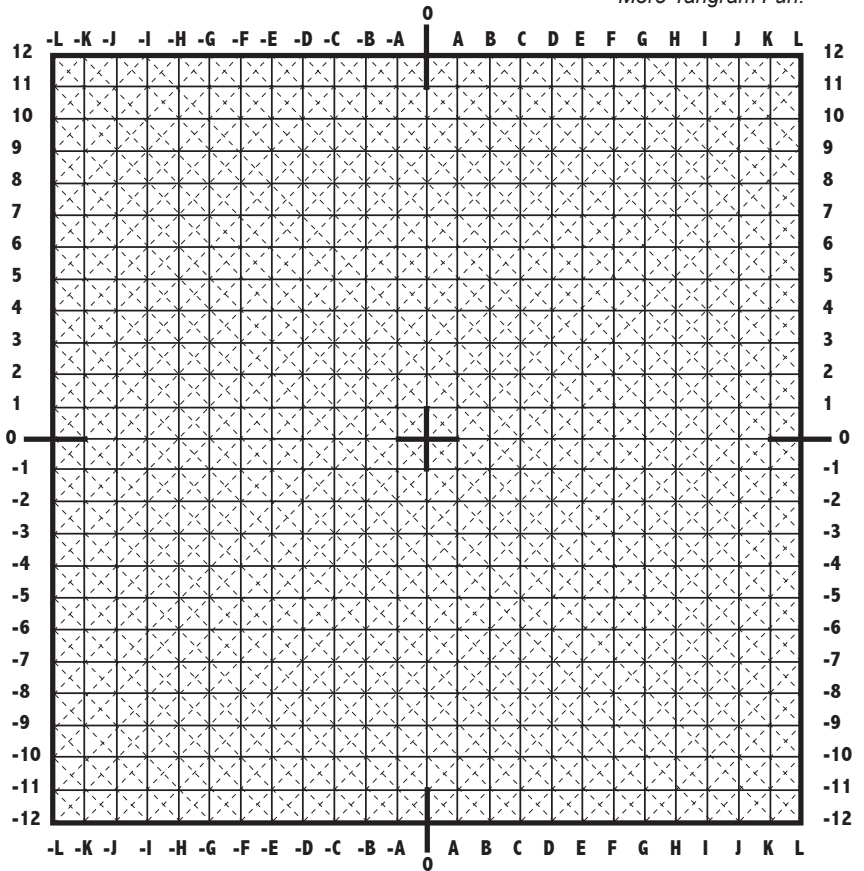
Rules:

- All 7 tans must be used, without repeating.
- No tans may overlap.
- Tans may be rotated or flipped.

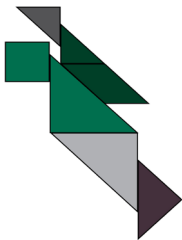
Today's Tangram



Darth Vader

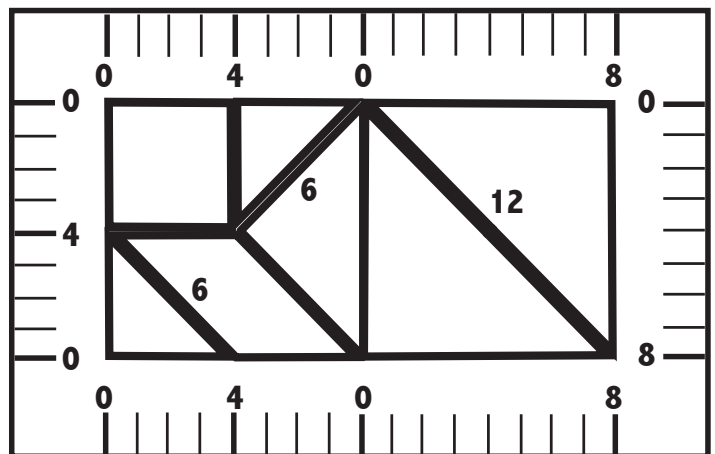


Yesterday's Solution



Tans & Sizes

These are the 7 tans to be used and their sizes, based on the Tangram Grid.



For more tangram fun, including color tangrams, visit www.TangramFury.com