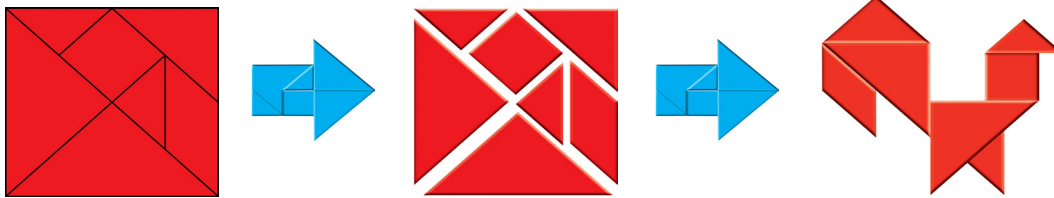




ADDICTIVE JOLLIFICATION

# TANGRAM FURY.com

## Daily Tangram

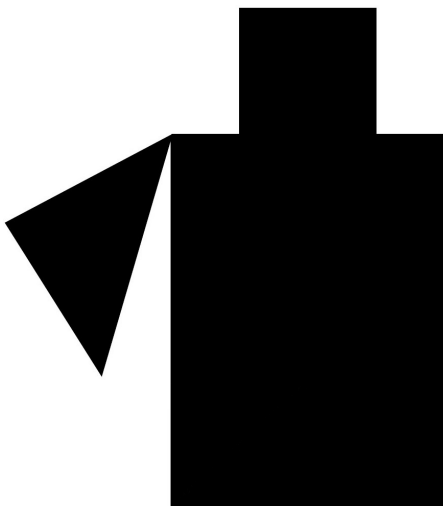


Scan Me for Hints & More Tangram Fun!

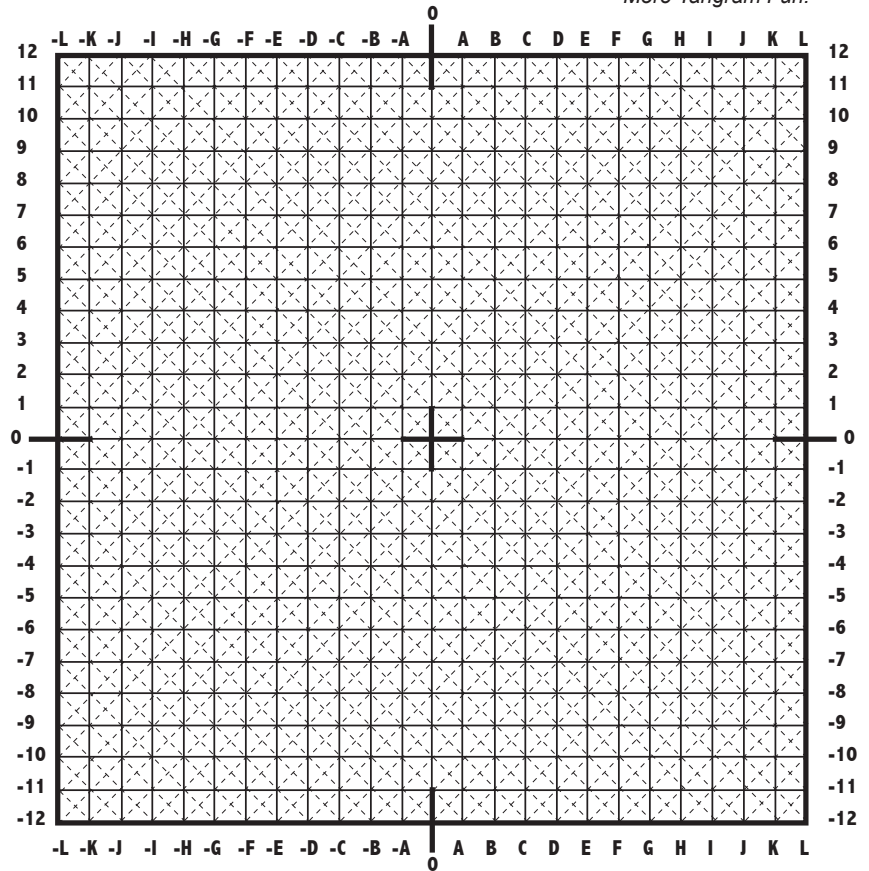
### Rules:

- All 7 tans must be used, without repeating.
- No tans may overlap.
- Tans may be rotated or flipped.

### Today's Tangram

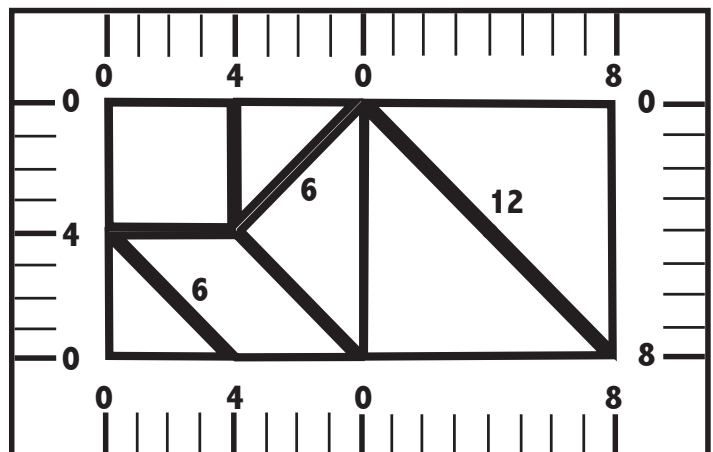


Chewbacca

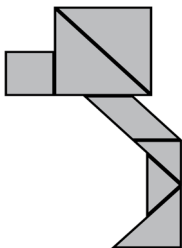


### Tans & Sizes

These are the 7 tans to be used and their sizes, based on the Tangram Grid.



### Yesterday's Solution



For more tangram fun, including color tangrams, visit [www.TangramFury.com](http://www.TangramFury.com)